


NTN BEARING CORPORATION OF AMERICA

Head Office

1600 E. Bishop Court, P.O. Box 7604

Mount Prospect, IL 60056-7604, U.S.A.

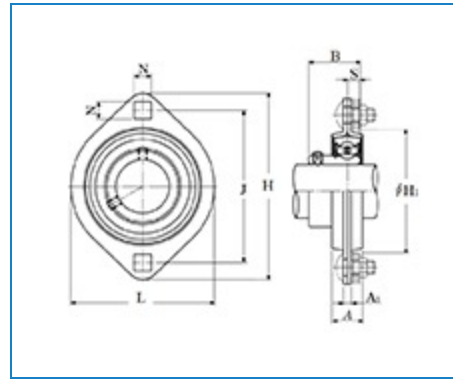
Phone: 847-298-7500

Fax: 847-699-9744

Toll Free: 800-323-2358

Email: mkt@ntnamerica.com
Website: www.ntnamericas.com

Item # ASPFL203, Two Bolt Rhombus Flanged Unit, Pressed Steel Housing, Set Screw, ASPFL Type



[Order Now](#) | [Technical Specifications](#) | [Dimensional Specifications](#)

Order Now

Ordering Options

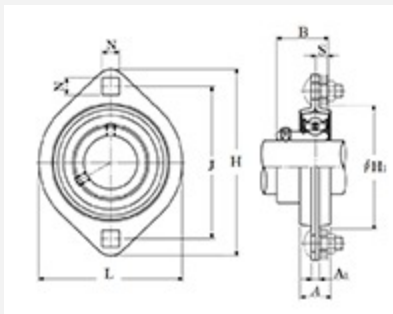
[Order Online through NTN DOL](#)
[Contact NTN Customer Relations](#)
[Search for a Licensed Distributor](#)

Technical Specifications

Type	2-Bolt Flanged Unit
Bearing Type	Ball Bearing
Locking Device	Set Screw
Seal Type	Contact

Seal Material	Nitrile Rubber
Bearing Number	AS203
Housing Number	PFL203
Housing Construction	2 Piece
End Type	Open
Performance	Light Duty
Dynamic Load Rating	2160 lbf 9600 N 9.60 kN
Static Load Rating	1030 lbf 4600 N 4.60 kN
Rotational Speed [Max]	8000 RPM
Weight	0.400 lb 0.200 kg
Operating Temperature Range	-40 to 250 °F -40 to 120 °C
Lubrication	Non-Relubricatable

Dimensional Specifications



Two Bolt Rhombus Flanged Unit, Pressed Steel Housing, Set Screw, ASPFL Type - Dimensions

d	0.6693 in 17.000 mm
----------	------------------------

H	3.1875 in 81.0 mm
L	2.3125 in 59.0 mm
J	2.5000 in 63.5 mm
A	0.5625 in 14.0 mm
A1	0.1570 in 4.0 mm
N	0.2812 in 7.1 mm
B	0.8661 in 22.000 mm
S	0.2362 in 6.000 mm
H1	1.9219 in 49.0 mm